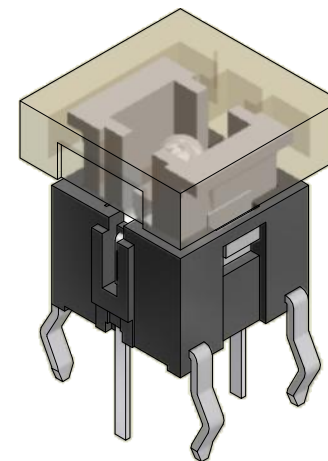
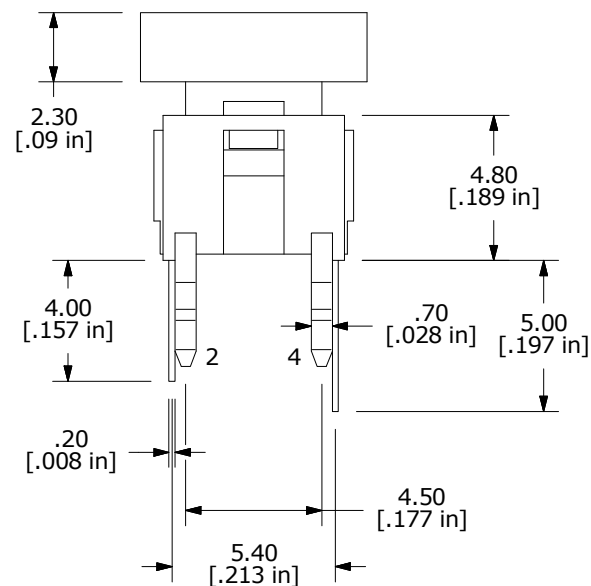
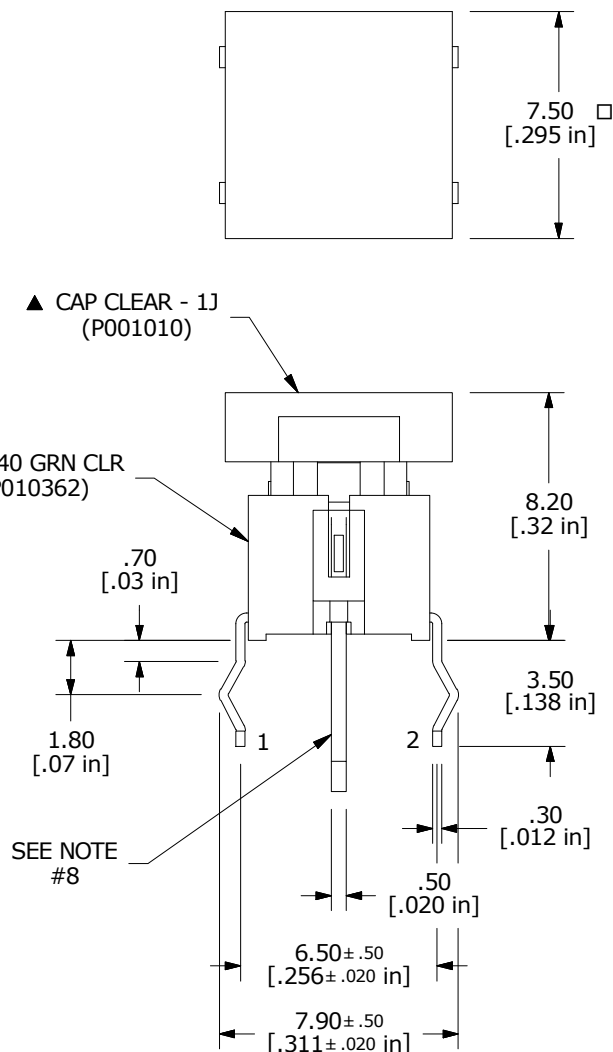


▲ CAP CLEAR - 1J
(P001010)

▲ TL1240 GRN CLR
(P010362)



NOTES:

1. ALL DIMENSIONS IN MM
2. GENERAL TOLERANCE: X.X = ±0.4
X.XX = ±0.25
3. RATING: 50mA @ 12VDC
4. TRAVEL: 0.25 +0.2/-0.1mm
- ▲ 5. OPERATING FORCE: 160 ±50gf
6. CONTACT RESISTANCE: 100 Milli-Ohms Max
7. 2011/65/EU (ROHS) COMPLIANT
- ▲ 8. SHORTER LEAD WITH COLOR IS NEGATIVE (CATHODE)
9. ▲ DENOTES CRITICAL PARAMETER

| ▲ LED SPECS | UNITS | GREEN |
|--------------------|-------|---------|
| FORWARD CURRENT | mA | 20 |
| FORWARD VOLTAGE | V | 2.1-2.5 |
| LUMINOUS INTENSITY | MCD | 5 |



| | | | | |
|-----|--------|------------------------------------|---------|-----|
| B | 22855 | drawing update, redraw in Inventor | 5/17/17 | MW |
| A | 11324 | Release for Production | 1/4/02 | CJB |
| REV | PCR NO | DESCRIPTION | DATE | BY |

| | | | | |
|---------------------|----------|-----|---------|-----|
| TITLE TL1240GQ1JCLR | | | | |
| SCALE | DATE | DR | DWG | REV |
| 4:1 | 1/4/2002 | BGL | XP0003P | B |

THE INFORMATION CONTAINED IN THIS DOCUMENT IS PROPRIETARY TO E-SWITCH AND IS NOT TO BE COPIED OR TRANSFERRED